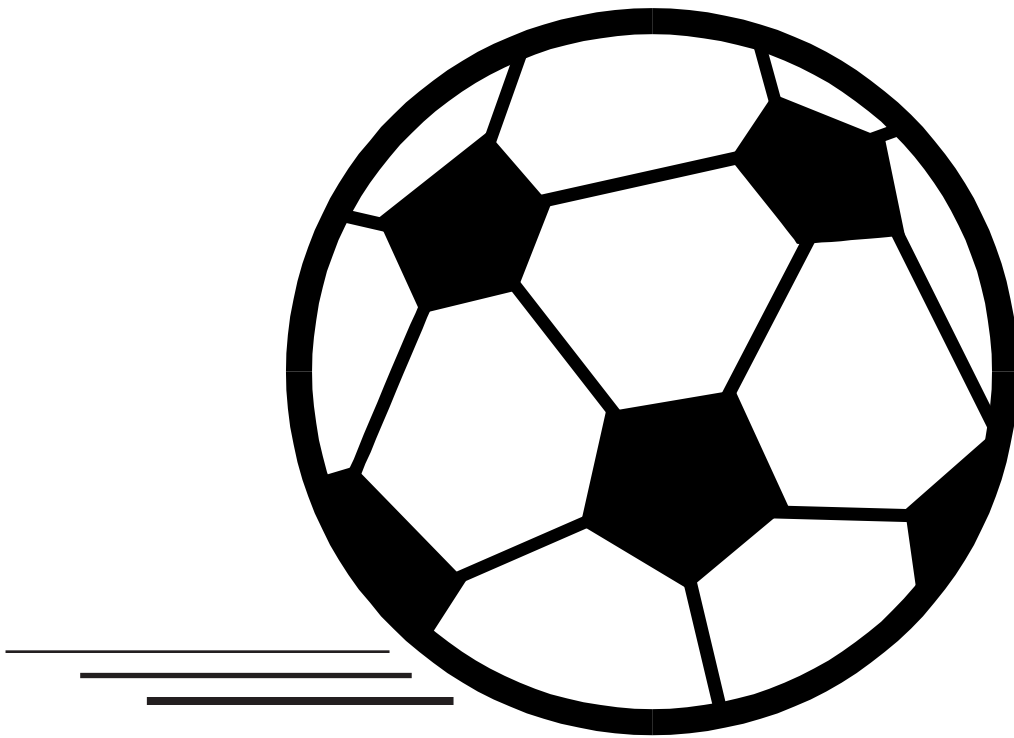


**Saugeen Mixed
Soccer League
2011 Coaching Manual**



Saugeen Mixed Soccer League

Coaching Manual

2011 Coaching Manual

Executive:

President	Andrea Barclay	<u>annie9517@gmail.com</u>
Vice President	Cory Bezeau	<u>HMSAsoccerguy@gmail.com</u>
Secretary	Anne Duncan	<u>anne.duncan@wightman.ca</u>
Treasurer	Rusty Hood	<u>rhood35@hotmail.com</u>
Scheduler	Marg Mason	<u>mmjm@wightman.ca</u>
Tournament Scheduler	Anne Duncan	<u>anne.duncan@wightman.ca</u>
U8 Convener	Andrea Barclay	<u>annie9517@gmail.com</u>
U10 Convener	Rheo Machina	<u>rheo@mbrheocattle.com</u>
U12 Convener	Rusty Hood	<u>rhood35@hotmail.com</u>
Discipline Committee	Walkerton (Chair), Neustadt, South Bruce	

Club Executive Members

Cargill

President Laurie Wells lbwells@wightman.ca

Hanover

President Cory Bezeau 519-364-7588 HMSAsocccerguy@gmail.com

Vice-President Dave Pohlman 519-364-0822 dep@wightman.ca

Coach Coordinator Dan Jolly 519-364-6576 danj@wightman.ca

Referee Coordinator Cory Bezeau 519-364-7588 HMSAsocccerguy@gmail.com

SSL Contact Cory Bezeau 519-364-7588 HMSAsocccerguy@gmail.com

Mildmay

President Dave Johnston (519)367-2708 kirkfordboy@wightman.ca

Vice President Chris Schaus (519)367-3516 inlinebuilders@wightman.ca

Referee Coordinator Rosanne Finlayson (519)367-5297 jrfinlayson@wightman.ca

Coach Coordinator Dave Johnston (519)367-2708 kirkfordboy@wightman.ca

SSL Contact Anne Duncan (519)367-2079 anne.duncan@wightman.ca

Neustadt

President Rheo Machina (519)-327-8646 rheo@mbrheocattle.com

Vice President Mark Diebel mark.axialdesigns@gmail.com

SSL Contact Rheo Machina (519)-327-8646 rheo@mbrheocattle.com

Paisley

President	Rusty Hood		rhood35@hotmail.com
Secretary/Treasurer	Angela Becker		kamz@bmts.com
Equipment Manager	Amber McGregor		
Referee Coordinator	Corien Sluys		corien.sluys@hotmail.com
SSL Contact	Rusty Hood		rhood35@hotmail.com

South Bruce

President	Wendy McKague	(519)392-6353	maple686@wightman.ca
Vise President	Lynn Frank	(519)392-8289	

Tara

President	Trevor Raynsford	(519)934-1162	traynsford@bmts.com
Vice President	Lorie Alpaugh	(519)934-3172	dlaaa.alpaugh@sympatico.ca
Referee Coordinator	Andrew Vaivods	(519)934-2305	avaivods@cmhagb.org
Coach Coordinator	Trevor Raynsford	(519)934-1162	traynsford@bmts.com
SSL Contact	Andrew Vaivods	(519)934-2305	avaivods@cmhagb.org

Walkerton

President	Andrea Barclay	(519)367-2260	annie9517@gmail.com
Vice President	Jeff Roberts	(519)881-1577	jebroberts@sympatico.ca
Referee Coordinator	Meridith White	(519)364-3804	meridith_white@bgcdsb.org
Coach Coordinator	Jeff Smith	(519)364-3804	smitacular@hotmail.com
SSL Contact	Andrea Barclay	(519)367-2260	annie9517@gmail.com

2011 League Rules

Mini Code for Coaches

- Your responsibility is to ensure that players are having “fun”. (Remember children are not miniature professionals)
- Never ridicule or scold a youngster for a mistake. Remember no child intentionally makes a mistake.
- Applaud loudly a good effort by your team and the opponent.
- Coaching at this level is a collective collaboration. If we all work together, all our youngsters will improve.
- Encourage all youngsters to develop basic skills but remember to be reasonable in your demand on their energy and enthusiasm.

The following are all guidelines Mini Coaches should follow:

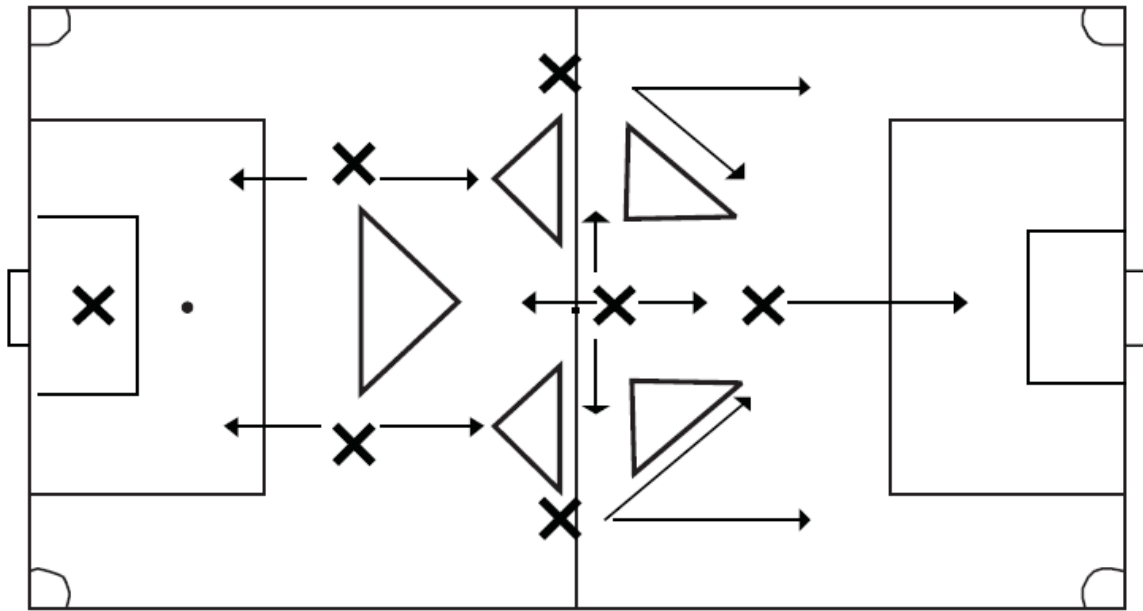
- Dress appropriately
- Be punctual
- Must be very positive and enthusiastic
- Must be organized
- Must be the most popular coach to their young players
- Personal Conduct (above reproach)
- Understand the rationale for Mini Soccer
- Coach in the game if necessary (Be on the field)

Mini Soccer and Developing Young Players

Common sense must prevail in terms of getting kids kicking a ball in an area that will allow them to interact within a game situation. They must be able to touch the ball allowing them situations that will guarantee them the opportunity to grow into the regulation game of full field and 11 v 11. That can only be done by educating them to make decisions, execute a skill, understand their role and enjoy learning this very enjoyable game

Please review the diagram below which shows a typical 7 v 7 set-up and should help to visualize the rationale for the mini game. This format embraces The Ontario Soccer Association's "Possession of the Ball" philosophy.

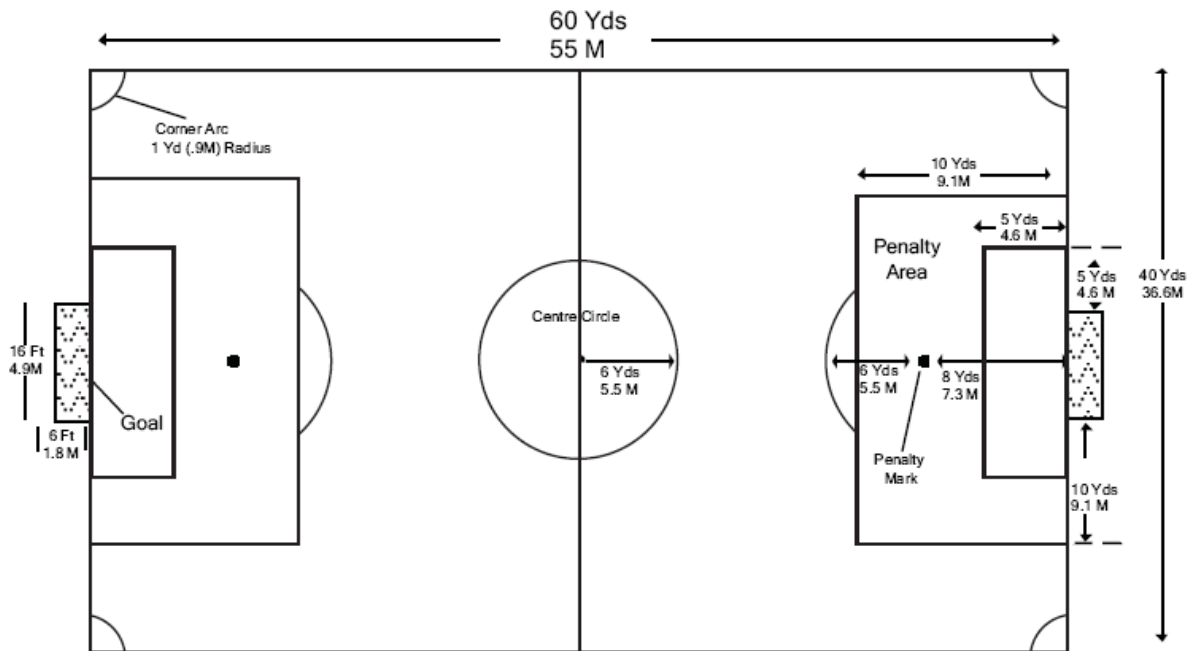
As you can appreciate triangles are the basic shape for all passing and support movements and so you can understand why it is important to encourage play within a relative environment that will allow children to execute passing and receiving the ball with successful results. 7 v 7 will guarantee that our youngsters understand depth and width naturally which is conducive to the progression into the 11 v 11 game.



Summary

- 7 v 7 on a mini field will allow more contacts on the ball
- The field is long enough for these young defenders to pass the ball forward past pressure (Long Passing)
- Strikers have the opportunity to support deep with width capabilities and lateral support (Near and Far Support)
- Goalkeepers have a reduced size of goal allowing most U-10 youngsters to reach the crossbar
- Allows for possession of the ball in a supporting environment for positions (triangles) (Short Passing & Receiving)
- Laws/structure simplified.

The Mini Field



MINI SOCCER RULES

RULE 1: The Field (U8 and U10)

- Field markings shall be clearly visible and of uniform width of approximately 5 inches (12.7cm). All lines are part of the area they encompass.
- The size of the goals shall be 16 feet (4.9M) wide and 6 feet (1.8M) high.
- The width of the goals shall be measured from the inside of one goal-post to the inside of the other goal-post, and the height from the ground to the underside of the crossbar.
- Whenever possible, goal-nets shall be used.
- Corner-posts shall stand not less than 5 feet (1.5M) from the ground and shall be placed in each corner of the field of play.

Off-side: U10 and U12

1. A player in an offside position is only penalized, if at the moment the ball touches or is played by one of their teammates, and in the opinion of the referee, they are involved in active play by:
 - a. Interfering with play,
 - b. Interfering with an opponent, or
 - c. Gaining an advantage by being in that position
2. There is no offside if a player receives the ball directly from:
 - a. A goal kick
 - b. A throw in, or
 - c. A corner kick
3. To ensure that all children have fun and games are fair; obvious “cherry-picking” will be called by referees. (for all age groups)

RULE 2: The Ball

- The ball shall be spherical and shall be constructed of material which is not dangerous to the players.
- Ball size for U8 and U10 players should be size 4.
- Ball size for U12 players should be size 5
- The Home Team shall supply two (2) regulation game balls to the referee prior to the start of the match.

RULE 3: Number of Players

U8 and U10

- The game shall be played by two teams, each consisting of 7 players, one of whom shall be the goalkeeper.
- A maximum of 14 players can be dressed for a game.
- Unlimited substitution shall be allowed.
- Substitutions shall be allowed at stoppages, under the control of the referee.
- Both teams must have at least 7 players to start the game, unless both coaches and the referee agree to play with less. The team with less than 7 players will then play with one player less than the team that had the correct amount of players

- The game should not continue if a team has less than 5 players.
- Teams should make best efforts to have 40% girls on the team (if possible based on registration). Deviation from this will be reviewed by the SMSL executive
- When playing, at least ½ of the girls available should be on the field at all times.
- If there appears to be an issue with the number of girls available for the game, coaches should communicate prior to the starting to obtain agreement with the team make-up
- Lack of girls is not a reason to forfeit, but a report must be made to the convenor for follow up if necessary.

U12

- A team shall not dress more than 25 players for any league or playoff game. The league recommends teams of 18 players.
- A match is played by two (2) teams , each consisting of not more than eleven (11) players on the field, one of whom is the goalkeeper, unless both coaches and the referee agree to play with less. The team with less than 11 players will then play with one player less than the team that had the correct amount of players.
- A match may not start or restart if either team consists of fewer than (7) players.
- Minimum of 3 girls if possible unless mutually agreed upon between coaches.

RULE 4: Player's Equipment

- Players shall not wear anything which endangers themselves or other players. – ie jewellery
- Basic compulsory equipment shall consist of shorts, socks, shin guards, footwear, and a numbered shirt. Goalkeepers must wear colors which are distinguishable from all outfield players and the referee.
- A player who is asked to leave the field of play because of defective or dangerous equipment may not re-enter the field of play until the referee is satisfied that the equipment is permissible.

RULE 5: The Referee

- The referee appointed to officiate a mini-soccer game will have the full authority to enforce the mini-soccer rules. Referee decisions regarding facts connected to play are final.
- First choice for the referee should be given to the home town

The referee shall:

- Enforce the rules of the game.
- Refrain from penalizing in cases where the offending team may gain an advantage.
- Report in writing to the appropriate authority, any misconduct by players, parents, spectators or other persons which takes place on the field of play or its vicinity at any time during the game.
- Control who may enter or leave the field of play.
- Stop the game immediately if a player appears to be injured, bleeding or concussed.
- Signal to start the game, and to restart it after a stoppage.
- Decide if the field of play and all applicable equipment is suitable.
- Payment for Referee will be as follows: U8 - \$10.00, U10 - \$15.00, U12 - \$20.00

Referee Assistant: (Not Applicable for U8 and U10)

- Assistant Referees should be a minimum Ontario Soccer Association (OSA) Level 4 carded (Youth Recreational) Mini Soccer Referees may be used for Assistant Referees.
- Two (2) Assistant Referees must be available for each game, arranged and compensated by the local soccer club, association or organization.
- Payment for Assistant Referees will be \$10.00 each

RULE 6: Duration of the Game

- Game will start at game time; Referee can wait up to 10 minutes before game is forfeited.
- The duration will be as follows:
 - U8 – 2 – 20 minute halves with 5 minute half time
 - U10 – 2 – 25 minute halves with a 10 minute half time
 - U12 – 2 – 35 minutes halves with a 10 minute half time
- If for any reason, a game is terminated before full-time, the local organizers shall decide the outcome of the game.
- Only the referee can cancel play during the game or just prior to the start of the game. Normally this would be due to thunderstorms (lighting present)

RULE 7: Start of Play

- At the beginning of the game, choice of halves and the kick-off shall be decided by the toss of a coin. The team which wins the toss shall decide which goal to attack in the first half. The other team will take the kick-off. At a kick-off, all players shall be in their own half of the field of play. All players opposing the team taking the kick-off shall be not less than 6 yards (5.5M) from the ball until it is kicked-off. The game shall be started by the

referee giving a signal. The ball will be in play when it is kicked forward into the opponent's half of the field.

- For any infringement of this rule, the kick-off shall be retaken.
- Should the player taking the kick-off play or touch the ball a second time before it has been played or touched by another player, a free-kick shall be awarded to the opposing team.
- After a goal has been scored, the game shall be restarted by a kick-off, to be taken by a player of the team against which the goal was scored
- After the first half of play, the teams shall change halves and the kick-off shall be taken by a player of the team opposing that which started the game.
- For any stoppage not mentioned elsewhere in these rules, the referee shall restart the game by dropping the ball at the place where it was when play was stopped, unless play was stopped in the penalty-area. In this case, the ball shall be dropped on the penalty-area line at the point nearest to where the ball was when play was stopped. The ball shall be in play as soon as it touches the ground.
- A goal may be scored directly from a kick-off.

RULE 8 Ball In and Out of Play

The ball is OUT of play:

- When the whole of the ball has crossed the goal-line, or touch-line, whether on the ground or in the air.
- When the play has been stopped by the referee.

The ball is IN play:

- At all other times including when it rebounds into play from a goal-post, a cross-bar, or a corner flag post, or referee and remains in the field of play.

RULE 9: Method of Scoring

- A goal is scored when the whole of the ball has crossed over the goal-line, between the goal-posts and under the cross-bar, provided it has not been thrown, carried or intentionally propelled by hand or arm, by a player of the attacking team, except by a goalkeeper from within his own penalty-area.
- The referee shall be the sole judge as to whether a goal has been scored.
- During the course of play, should any outside agent prevent the ball from passing into the goal or assist the ball into the goal, play shall be stopped. The referee shall restart the game by dropping the ball.

RULE 10: Free-kick

- For any infringement of the mini-soccer rules when the ball is in play, the referee may award a free-kick to the non-offending team. The free-kick shall be taken from the place where the infringement occurred, unless the free-kick is awarded to the attacking team within its opponents' penalty-area. In this case, the penalty-kick shall be taken from the penalty-mark.
- At the taking of a free-kick, the ball shall be stationary and all opponents shall be not less than 6 yards (5.5M) from the ball until it has been kicked. The ball shall be in play when it is kicked and moved.
- A player taking a free-kick within his own penalty-area shall kick the ball into play beyond the penalty-area. The ball shall be in play when it has been kicked and moved and has passed outside the penalty-area. All opponents shall be outside the penalty-area and not less than 6 yards (5.5M) from the ball until it has been kicked. For any infringement of this rule, the free-kick shall be retaken.
- A player taking a free-kick shall not play or touch the ball a second time until it has been played or touched by another player. For any infringement of this rule, a free-kick shall be awarded to the opposing team.
- A goal may be scored directly from a free-kick
- An indirect kick is awarded to the opposing team for the following reasons:
 - Takes more than 6 seconds to release the ball while controlling the ball with their hands,
 - Touches the ball with their hands after the ball has been released from their possession and has not touched another player
 - Touches the ball with their hands after the ball is deliberately kicked to them by a teammate, or
 - Touches the ball with their hands after receiving a ball directly from a throw-in taken by a teammate.

RULE 11: Penalty-kick

- A penalty-kick shall be taken from the penalty-mark. All players, with the exception of the defending goalkeeper and the player taking the kick, shall be outside the penalty-area but within the field of play, not less than 6 yards (5.5M) from the ball until it has been kicked.
- The goalkeeper shall remain on his own goal-line facing the kicker, and between the goal-posts, until the ball has been kicked.
- The player taking the penalty-kick must kick the ball forward. The ball shall be in play when the ball is kicked and moves forward. The player shall not play or touch the ball a second time until it has been played or touched by another player.
- If necessary, the time of play shall be extended to allow a penalty-kick to be taken.

For any infringement of this rule:

- By a member of the defending team, the kick shall be retaken if a goal has not been scored.
- By a member of the attacking team, if a goal is scored it shall be disallowed and a free kick awarded to the defending team, to be taken from the place where the infringement occurred.
- By a member of both teams, the kick shall be retaken whether a goal has been scored or not.
- If, after the kick has been taken, the ball or the goalkeeper is interfered with by an outside agent, the kick shall be retaken.

RULE 12: Fouls and Misconduct

A player, who, in the opinion of the referee, intentionally commits any of the following offences, shall be penalized by the awarding of a free-kick to the opposing team:

- Spits at an opponent
- Kicks or attempts to kick an opponent
- Trips or attempts to trip an opponent
- Jumps at an opponent
- Charges an opponent
- Strikes or attempts to strike an opponent
- Holds an opponent
- Vulgar or racial comments
- Pushes an opponent
- Handles the ball deliberately, (except a goalkeeper from within his own penalty area)
- Tackles an opponent to gain possession of the ball, making contact with the opponent before touching the ball
- To discourage unsportsmanlike conduct and to prevent potential conflicts, coaches and team players must locate themselves of the OPPOSITE side of the field from the spectators during all games. Coaches are responsible for ensuring that parents and other spectators are aware and comply with this rule
- It is the decision of the referee as to whether a foul or misconduct has occurred. Coaches, players and spectators do not have the right to question whether an offense is called by the referee. Harassment of the referee will result in the removal of the coach, player or spectator from the game.
- U12 – Normal Carding Policy; 1st Yellow Card – warning – play on, 2nd Yellow Card – player is finished for the game, must leave and is suspended for the next game, 3rd or Red Card – Leave the field immediately and is suspended for 2 games. Discipline must be informed of all Yellow and Red Cards

- Should a player commit one of the above offences within his own penalty-area, a penalty-kick shall be awarded.
- A Disciplinary Committee is made up of the President, and two other town contacts not involved in the issue. If the discipline in question involves the town that the President represents, the Vice President will represent the President on the committee.
- Any unresolved complaint to be official and requiring action must be put in writing and sent to the President. The complaint must precisely state the problem.
- The Disciplinary Committee must review within 10 days and may decide to interview those involved in the issue; these interviews will take place as soon as possible. Information regarding the incident will not be provided to the individuals involved prior to the interview.
- The final decision will be made by the Disciplinary Committee within 21 days of the infraction. The concerned individuals will be advised of the decision and rationale. Guidelines will be available for the committee.
- Any disputes between coaches must be settled by the Convenor of the League; if this is not possible, the convenor shall elevate to the disciplinary committee.

RULE 13: Throw-In

Throw-in

- When the whole of the ball has crossed the touch-line, either on the ground or in the air, the ball shall be thrown-in from the point where it left the field of play, by a member of the team opposing that of the player who last played or touched it.
- The player taking the throw-in shall:
 - a. Face the field of play,
 - b. Have part of each foot on the touch line or on the ground outside the touch line,
 - c. Use both hands, and
 - d. Deliver the ball from behind and over her/his head.
- If the player fails to throw the ball in correctly (U8, U10), she/he shall be permitted a second attempt. If the second attempt is unsuccessful, a throw-in shall be awarded to the opposing team.
- The ball will be in play immediately after it enters the field of play.
- If the player taking the throw-in plays or touches the ball a second time before it has been played or touched by another player, a free-kick shall be awarded to the opposing team.

- At the taking of a throw-in, all opponents must be at least 2 meters from the ball.
- A goal may not be scored directly from a throw-in.

RULE 14: Goal-kick

- When the whole of the ball has crossed the goal-line, either on the ground or in the air, excluding that portion between the goal-posts, having last been played or touched by a member of the attacking team, a goal-kick shall be awarded to the defending team. The ball shall be kicked into play from a point within that half of the penalty area nearest to where the ball crossed the goal-line.
- At the taking of a goal-kick, all opponents shall be outside the penalty-area until it has been kicked into play. The ball shall be in play when it has traveled directly beyond the penalty-area.
- If the player taking the goal-kick plays or touches the ball a second time before it has been played or touched by another player, a free-kick shall be awarded to the opposing team.
- A goal may be scored directly from a goal-kick.

RULE 15: Corner-kick

- When the whole of the ball has crossed the goal-line, either on the ground or in the air, excluding that portion between the goal-posts, having last been played or touched by a member of the defending team, a corner-kick shall be awarded to the attacking team.
- The corner-kick shall be taken from within the corner-arc nearest to where the ball crossed the goal-line. All opponents shall be not less than 6 yards (5.5M) from the ball until it has been kicked. The ball is in play when it is kicked and moves.
- If the player taking the corner-kick plays or touches the ball a second time before it has been played or touched by another player, a free-kick shall be awarded to the opposing team.
- A goal may be scored directly from a corner-kick.

RULE 16: Handshake

- Handshake will take place after the game only. Spitting on hand or foul language is an automatic Yellow card. Handshake includes referees, coaches, and parents. Referee must oversee handshake and stay on the field until all children are gone.

Rule 17: Score Reporting and Game Sheets

- All scores will be reported to the appropriate convenor within 48 hours of play
- If scores are not reported within this time frame, convenor has the right to give team not reporting a 0.
- Both teams are responsible to report scores to the appropriate convenor.
- Game sheets (also available on Excel) for U12 only will be included in manual, but do not need to be forwarded to convenor. Incident reports need to be forwarded for any disciplinary action, i.e. yellow or red cards. Scores are to be reported to convenor by both teams within 48 hours or team will receive zero points.

Saugeen Mixed Soccer League - Under 8 Coach Listing

Convener	Andrea Barclay –	(519)367-2260	annie9517@gmail.com
1. Hanover Navy	TBD		
2. Hanover Sky	Selwyn Hicks Dan Jolly	(519)364-6576	
3. Hanover Red	Micheal Swain Ross Walters		
4. Hanover White	Gregory Schmidt Jodi MacInnis		
5. Hanover Kelly	John Martin Jillian Schenk	(519)364-3924	
6. Tara Red	Brad Lacey Greg Heathers Jeff Wardell	(519)376-3204 (519)371-3324	patty_jo_lacey@bgcdsb.org heathersfamily@live.com
9. Tara Green	Dan Madill Adam Cottrill	(519)934-1469	madilldc@sympatico.ca
10. Tara Blue	Sarah & Marty Rourke Julie & Brian Gorman	(519)363-5009 (519)794-3544	s_longland@hotmail.com hotnspicy@hughes.net
11. Cargill Blue			
12. Paisley Burgundy	Rusty Hood	(519)353-9505	rhod35@hotmail.com
13. South Bruce Yellow	Cameron Moffat	(519)392-8862	ckmoffat@wightman.ca
15. Walkerton Blue	Steve Cobean	(519)364-0263	scobean@persona.ca
16. Walkerton Yellow	Jon Oestreicher	(519)881-4810	jandso@log.on.ca
17. Walkerton Red	Jeff Roberts Stan Hinsperger	(519)881-1577 (519)881-0162	jebroberts@sympatico.ca hinspers@wightman.ca
18. Walkerton Green	Jeff Green	519-507-1947	jennifercassidy_05@hotmail.com
19. Mildmay Blue	Julie Mackenzie	(519)881-1923	
20. Mildmay Red	Paul Hinsberger	(519)367-3523	
21. Neustadt Green			
22. Neustadt Burgundy			

REMEMBER- Scores must be submitted to the convener within 48 hours of game – scores may be called in or emailed. Check stats on the Walkerton Minor Soccer website (www.walkertonsoccer.ca) or Hanover Minor Soccer website www.hanoverminorsoccer.ca

**UNDER 8 SOCCER SCHEDULE
SAUGEEN MIXED SOCCER LEAGUE
SUMMER 2011**

TEAMS :

1. Neustadt Green	11. Neustadt Burgundy
2. Tara Green	12. Tara Red
3. Tara Blue	13. Paisley Burgundy
4. Cargill Blue	14. South Bruce Yellow
5. Mildmay Blue	15. Mildmay Red
6. Walkerton Green	16. Walkerton Yellow
7. Walkerton Blue	17. Walkerton Red
8. Hanover Navy	18. Hanover Red
9. Hanover Sky Blue	19. Hanover White
10. Hanover Green	

FIELD LOCATIONS :

Walkerton	Lobies Park South - A Lobies Park North - B Northwest corner of town
Hanover	CN 1 - A CN 2 - B RC Minor - C All at the north end of 16 th Ave.
Mildmay	Optimist Field By the arena - South west end of town
Cargill	Cargill Park Brant-Greenock Line just south of village
Tara	Behind Arena South end of town
South Bruce	Teeswater Hillcrest Public School - Northwest end of town
Paisley	Mary Cumming Park behind arena
Neustadt	Lion's Park north end of town off highway 10

SCHEDULE : (All games begin at 7:00)

May 26		June 2		June 9		June 16	
H	A	H	A	H	A	H	A
1	11	6 - A	7	11	10	7 - A	11
2	12	16 - B	17	12	1	8 - A	12
13	3	8 - A	10	13	2	9 - B	13
4	14	2	3	9 - A	3	10 - C	14
5	15	18 - B	19	15	4	1	15
6 - A	16	14	15	16 - A	5	16 - B	2
7 - B	17	4	5	17 - B	6	3	17
8 - A	18	13	12	18 - B	7	4	18
9 - B	19	1	9	19 - C	8	5	19
10	bye	11	bye	14	bye	6	bye

June 23		June 30		July 7		July 14	
H	A	H	A	H	A	H	A
11	8	9 - A	2	11	6	5	11
9 - A	7	10 - B	12	12	7	6 - A	12
13	10	8 - C	1	13	8	7 - B	13
14	1	11	14	14	9	8 - A	14
2	15	13	16	15	10	9 - B	15
16 - A	3	3	4	16 - A	1	10 - C	16
17 - B	4	5	17	17 - B	2	1	17
18 - B	5	6 - A	18	18 - A	3	2	18
19 - C	6	7 - B	19	19 - B	4	4	3
12	bye	15	bye	5	bye	19	bye

July 21		July 28		August 4		August 11	
H	A	H	A	H	A	Make up game if necessary	
11	4	3	11	11	2		
12	5	4	12	12	3		
13	6	5	13	13	4		
14	7	6 - A	14	14	5		
15	8	7 - B	15	15	6		
16 - A	9	8 - A	16	16 - A	7		
17 - B	10	9 - B	17	17 - B	8		
18 - A	1	10 - C	18	18 - A	9		
19 - B	2	1	19	19 - B	10		
3	bye	2	bye	1	bye		

YEAR-END TOURNAMENT :

SATURDAY, AUGUST 13

Saugeen Mixed Soccer League - Under 10 Coach Listing

Convener	Rheo Machina	rheo@mbrheocattle.com
1. Hanover Navy	Cory Bezeau Kelly Breen	
2. Hanover Royal	Steve Johnston Kevin Freiburger	
3. Hanover Gold	Dave Sararus Denise Roseborough	
4. Hanover Green	Jeff Dentinger	
5. Tara Red	Barry Baynham	(519)363-5879 info@chesleyequestrian.com
6. Tara Blue	Kelly Cunningham	(519)934-0113 kelly-cunningham@live.ca
7. Cargill Blue		
8. Paisley Burgundy	Corinne Sluys	(519)366-1475 corien.sluys@hotmail.com
9. South Bruce Red	Lynne Frank Tracy Cronin	(519)392-8289 lynnef@wightman.ca (519)392-6568
10. Walkerton Green	Crystal Hindman	(519)363-3776 chindman@live.ca
11. Walkerton Yellow	Michelle Hallahan	(519)881-1258 michelle_hallahan@sympatico.ca
12. Walkerton White	John Edginton	(519)881-2039 cederhollowfarm@sympatico.ca
13. Walkerton Gold	Chris Wells	(519)881-4225 wells1319@gmail.com
14. Mildmay Green	Darren Merchant	(519)327-4577 tanddmerchant@gmail.com
15. Neustadt Green		
16. Neustadt Burgundy		

REMEMBER- Scores must be submitted to the convener within 48 hours of game – scores may be called in or emailed. Check stats on the Walkerton Minor Soccer website (www.walkertonsoccer.ca) or Hanover Minor Soccer website www.hanoverminorsoccer.ca

**UNDER 10 SOCCER SCHEDULE
SAUGEEN MIXED SOCCER LEAGUE
SUMMER 2011**

TEAMS :

1. Neustadt Burgundy - NB	9. Neustadt Green - NGr
2. Tara Red - TR	10. Tara Blue - TB
3. South Bruce Red - SBR	11. Mildmay Green - MGr
4. Paisley Burgundy - PB	12. Cargill Blue - CB
5. Walkerton Yellow - WY	13. Walkerton Green - WGr
6. Walkerton Gold - WG	14. Walkerton White - WW
7. Hanover Navy - HN	15. Hanover Green - HGr
8. Hanover Gold - HG	16. Hanover Royal - HR

LOCATIONS :

Walkerton	Lobies Park South - 1 Lobies Park North - 2 (Northwest corner of town)
Hanover	CN 1 - 1 CN 2 - 2 At the north end of 16 th Ave.
Mildmay	Optimist Field - By the arena South west end of town
Cargill	Cargill Park - Brant-Greenock Line just south of village
Tara	Behind Arena - South end of town
South Bruce	Teeswater - Hillcrest Public School - North west end of town
Paisley	Mary Cumming Park - behind arena
Neustadt	Lion's Park - north end of town off highway 10

SCHEDULE :

May 24		May 31		June 7		June 14	
H	A	H	A	H	A	H	A
NB	NGr	TB	NB	NB	MGr	CB	NB
TR	TB	MGr	TR	TR	CB	WGr - 1	TR
SBR	MGr	CB	SBR	SBR	WGr	WW - 2	SBR
PB	CB	WGr - 1	PB	PB	WW	HGr - 1	PB
WY - 1	WGr	WW - 2	WY	WY - 1	HGr	HR - 2	WY
WG - 2	WW	HGr - 1	WG	WG - 2	HR	NGr	WG
HN - 1	HGr	HR - 2	HN	HN - 1	NGr	TB	HN
HG - 2	HR	NGr	HG	HG - 2	TB	MGr	HG

June 21		June 28		July 5		July 12	
H	A	H	A	H	A	H	A
NB	WGr	WW - 1	NB	NB	HGr	HR - 1	NB
TR	WW	HGr - 1	TR	TR	HR	NGr	TR
SBR	HGr	HR - 2	SBR	SBR	NGr	TB	SBR
PB	HR	NGr	PB	PB	TB	MGr	PB
WY - 1	NGr	TB	WY	WY - 1	MGr	CB	WY
WG - 2	TB	MGr	WG	WG - 2	CB	WGr - 1	WG
HN - 1	MGr	HN	CB	HN - 1	WGr	WW - 2	HN
HG - 2	CB	WGr - 2	HG	HG - 2	WW	HGr - 2	HG

July 19		July 26		August 2		August 9	
H	A	H	A	H	A	H	A
NB	SBR	WG - 1	NB	NB	HG	PB	NB
TR	PB	HG - 1	TR	TR	SBR	WG- 1	TR
WY - 1	WG	SBR	WY	WY - 1	PB	HG - 1	WY
HN - 1	HG	PB	HN	HN - 1	WG	SBR	HN
CB	TB	NGr	WGr	WGr - 2	TB	HR - 2	WGr
MGr	NGr	TB	HGr	HGr - 2	WW	NGr	HGr
WGr - 2	WW	WW - 2	MGr	MGr	HR	TB	MGr
HGr - 2	HR	HR - 2	CB	CB	NGr	WW - 2	CB

YEAR-END TOURNAMENT :

SUNDAY, AUGUST 14

Saugeen Mixed Soccer League - Under 12 Coach Listing

Convener			
	Rusty Hood	(519)353-9505	rhoor35@hotmail.com
1.	South Bruce Green	Wendy McKague Kendra Tiffin	(519)392-6353 (519)392-8939 maple686@wightman.ca
2.	Cargill Blue		
3.	Mildmay Red & White	Brent Reuber	(519)367-5916
4.	Mildmay Blue & White	Darren Merchant	(519)327-4577 tanddmerchant@gmail.com
5.	Neustadt Green		
6.	Paisley Burgundy	Paul Blodgett	(519)353-6021 loxy@bmts.com
7.	Walkerton HDTV White	Paul Charette	519-881-4219 paul_charette@wightman.ca

REMEMBER- Scores must be submitted to the convener within 48 hours of game – scores may be called in or emailed. Check stats on the Walkerton Minor Soccer website (www.walkertonsoccer.ca) or Hanover Minor Soccer website www.hanoverminorsoccer.ca

**UNDER 12 MIXED SOCCER SCHEDULE
SAUGEEN MIXED SOCCER LEAGUE
SUMMER 2011**

TEAMS :

SBG	South Bruce Green	Hillcrest Public School, Teeswater
CB	Cargill Blue	Cargill Park
MR	Mildmay Red & White Stripe	Behind Mildmay-Carrick Public School and arena
MB	Mildmay Blue & White Stripe arena	Behind Mildmay-Carrick Public School and arena
PB	Paisley Burgundy	Riverside Park
NG	Neustadt Green	Neustadt Lion's Park
W	Walkerton White	Brant Central School

SCHEDULE :

All games begin at 7:00 p.m.

May 26		June 2		June 9		June 16	
H	A	H	A	H	A	H	A
NG	SBG	CB	NG	W	CB	CB	MR
MR	W	PB	SBG	NG	PB	PB	W
CB	MB	MB	MR	SBG	MB	MB	NG
PB	bye	bye	W	MR	bye	bye	SBG

June 23		June 30		July 7		July 14	
H	A	H	A	H	A	H	A
MB	PB	SBG	CB	MR	SBG	NG	MR
NG	MR	MR	PB	W	NG	CB	W
SBG	W	W	MB	CB	PB	SBG	MB
CB	bye	bye	NG	MB	bye	bye	PB

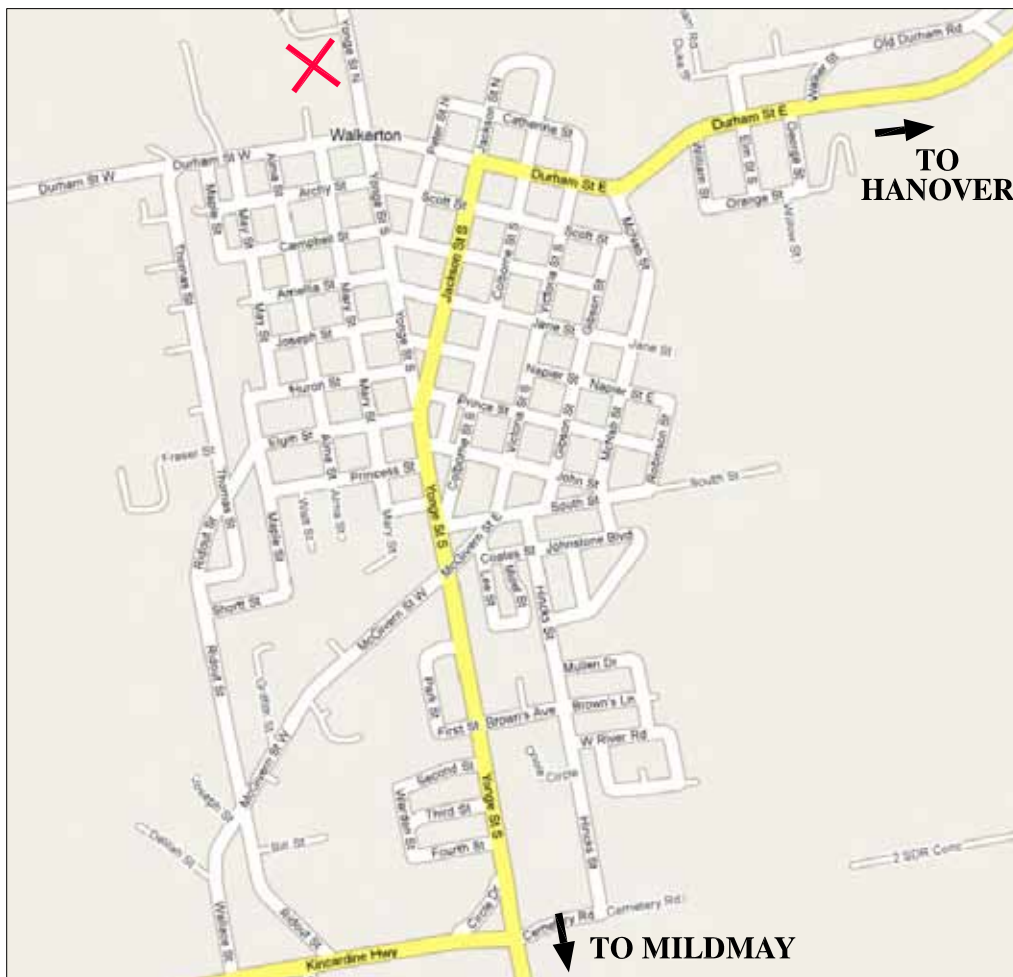
July 21		July 28		August 4		August 11	
H	A	H	A	H	A	H	A
PB	CB	W	MR	MR	SBG	SBG	CB
NG	SBG	PB	NG	W	NG	PB	MR
MR	MB	MB	CB	PB	MB	MB	W
W	bye	bye	SBG	CB	bye	NG	bye

YEAR-END TOURNAMENT - SATURDAY, AUGUST 20

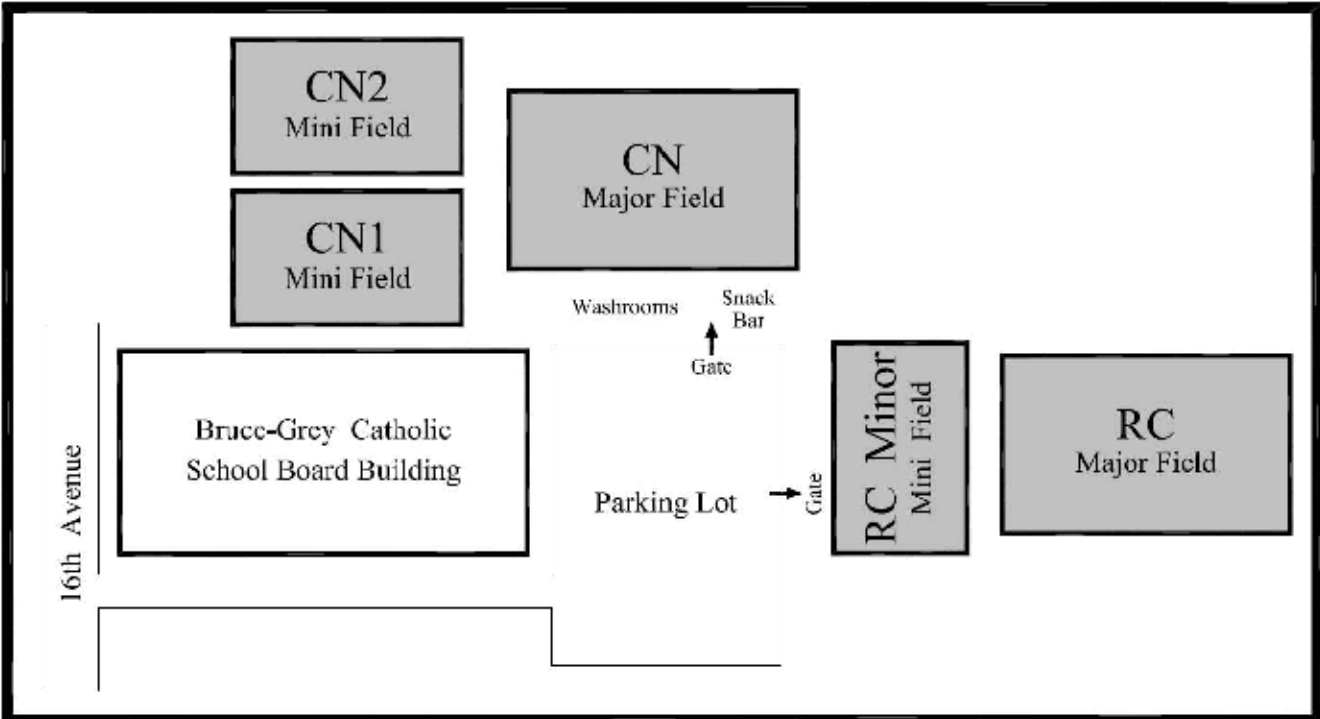
WALKERTON FIELDS



MINI PITCHES



Hanover Fields



CARGILL FIELDS



MILDMAY FIELDS



Paisley Soccer Field



Head north on County Road #3. Turn right on Church Street just past arena. Turn left on Ross Street. Field is located behind 2nd house on the right side.



NEUSTADT FIELDS

LIONS' PARK
(Look for fish sign)



TEESWATER HILLCREST SCHOOL

Tara Soccer Field



CODE OF CONDUCT

Saugeen Mixed League Soccer

- 1) I will not force a child to play sports and I will remember that a child plays sports for *their* enjoyment, not for mine.
- 2) I will teach all players that doing one's best is as important as winning, and to not reprimand them for making mistakes or performing poorly.
- 3) I will remember that children learn best by example. I will applaud good plays/performance by both teams.
- 4) I commit to teaching and supporting players to play fairly, and to respect the rules of the game, the officials and their opponents.
- 5) I will never question the official's judgement or honesty in public or during a game and I will respect their decision. The official has decisive control of each game.
- 6) I will encourage everyone to play by the rules and to resolve conflicts without resorting to hostility, profanity or violence and at all times adhere to this code.
- 7) All questions and concerns regarding a game must be taken to the appropriate executive or convener.
- 8) I will respect and show appreciation for the volunteer coaches who give their time to help provide sport activities for children.
- 9) I commit to being punctual and prepared for all games and practices.
- 10) I will ensure that a parent or guardian stay for the duration of every game and practice.
- 11) I commit to encourage players to develop good skills on and away from the pitch.

Name

Date